

**Elitech**<sup>®</sup>


*Innovation Preceding All*

**Elitech**<sup>®</sup>

# DIGITAL TEMPERATURE CONTROLLER

Product Selection Guide

**Elitech Technology, Inc.**

 Tel: (+1)408-844-4070

 Email: [support@elitechus.com](mailto:support@elitechus.com)

 Website: [www.elitechus.com](http://www.elitechus.com)

 Add: 2528 Qume Dr, Ste 2 San Jose, CA 95131 United States

**SPECIALIZING IN  
REFRIGERATION CONTROL SINCE 1996**

# COMPANY PROFILE

Elitech Technology, Inc.

Elitech (UK) Limited

Elitech Russia Ltda

Elitech Polska Sp. Z.O.O.

Elitech China

Elitech Brazil Ltda



Elitech offers a high level of monitoring and maintenance in the refrigeration field, IoT technology, wireless and smart tools, quality, and safety certificates. Our main goal is to always provide innovative alternatives to our customers to perform their work better and more conveniently. Our products and services serve many industries, from small to large corporations whether is related to life science, medical and pharmaceutical industry, food, and collection storage, to a whole logistic process from manufacturing, handling, storage, and distribution. Our products also count on environmental testing technology, and local refrigeration systems, and many more. Over the years, we always have been focusing on innovation surrounding our customer's needs. Our wide range of products shows our company development and efforts to make our products more efficient and convenient.

Elitech has fully equipped R&D testing labs, which are capable of completing industrial four-level EMC electromagnetic interference testing experiments. Environmental performance tests run in our labs, as well as lighting, cycle drop, and electrostatic discharge test along with high/low-temperature impact and heating alternating. In addition, Elitech counts with 200 qualified engineers. All our technicians and engineers are prompt to assist you with any questions, validations, or requirements that you may have. Elitech's team is spread in all continents, allowing you to contact us at any time, anywhere.

# RESEARCH LABORATORY

The scientific research laboratory of Elitech is equipped with Swiss imported 7637 test system, electrical transient conduction group pulse generator, ultra-low temperature verification thermostat, dispersive X-ray fluorescence spectrometer, American Agilent comprehensive analyzer, high-precision temperature, and humidity verification system, lightning surge generation There are more than 120 sets of instruments and equipment, such as In addition to product performance testing and environmental testing, it can also complete industrial level four, EMC electromagnetic interference testing, such as lightning surge, cycle drop, and electrostatic discharge, as well as extreme tests such as high and low-temperature impact, high and low temperature damp and heat alternation.

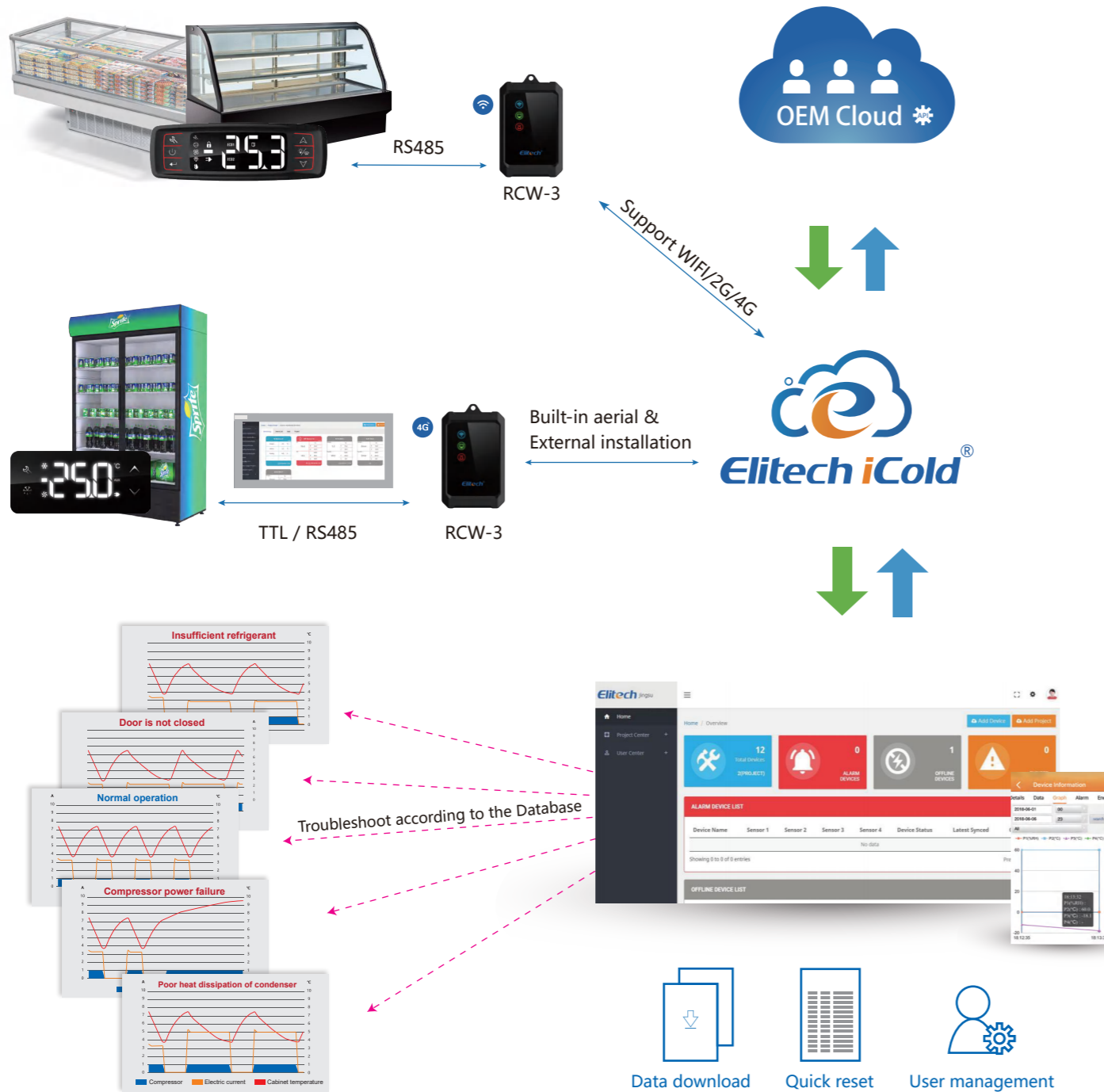
# TABLE OF CONTENTS



Visualize the Safety and Freshness .....	01
ECS Series .....	03
EK Series .....	10
STC Series .....	15
ETC Series .....	27

# Commercial Display Case Temperature Controller Solutions

Temperature Controller + Data Transmitter + Elitech iCold Cloud Platform

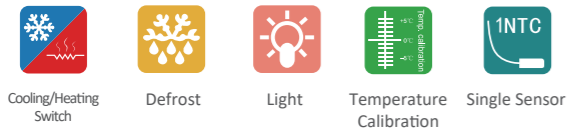


# ALL IN ONE

## Temperature Controller Solutions for Commercial Display Case



## ECS-16



- ECS-16 is a small, high-precision, easy-to-operate temperature controller, suitable for temperature control of cooling/heating.
- With temperature measurement, display, control; temperature correction; sensor failure alarm and other functions.
- One way sensor input: the library temperature probe sensor; one way

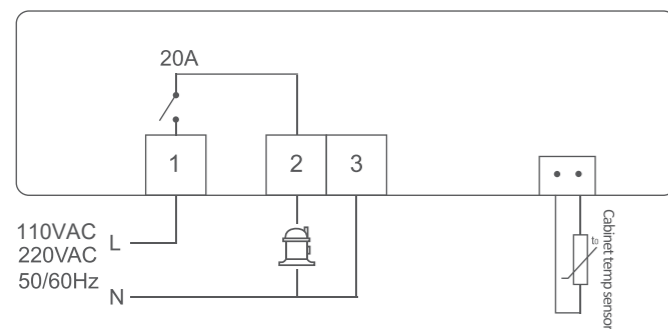


### PRODUCT PARAMETER

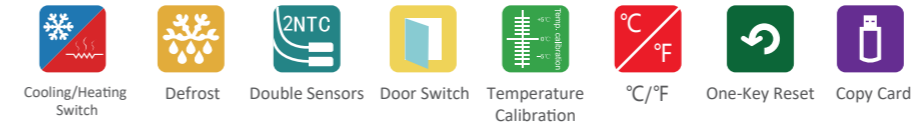
Model	ECS-16
Operating Voltage	110VAC/220VAC±10% 50/60Hz
Overall Power Consumption	<3W
Temperature Measurement Range	-50°C~ 90°C
Temperature Control Range	-50°C~ 85°C
Temperature Measurement Accuracy	±1°C(-40°C~ 50°C), Others ±2°C
Display Resolution	1°C
Product Size	78.5×34.5×78.5 (mm)
Mounting Dimension	71×29 (mm)

Model	Control Output	Signal Input	Other	
	Cooling/Heating	Temperature Sensor	Buzzer	Over-temperature Alarm
ECS-16	√30A	√	√	√

### PRODUCT WIRING DIAGRAM



## ECS-02CX



- ECS-02CX is a small, high-precision, easy-to-operate temperature controller, suitable for temperature control of cooling/heating.
- It supports temperature measurement, display and controlling, temperature calibration, sensor failure alarm, Fahrenheit.
- Two way input: room-temperature sensor, defrosting sensor.
- One way output: cooling/heating output.

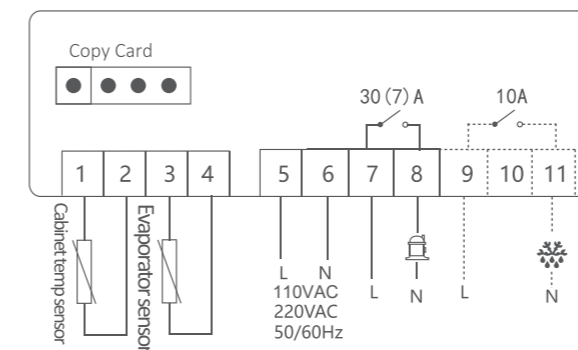


### PRODUCT PARAMETER

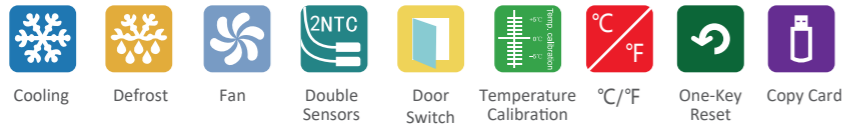
Model	ECS-02CX
Operating Voltage	110VAC/220VAC±10% 50/60Hz
Overall Power Consumption	<3W
Temperature Measurement Range	-50°C~ 99°C
Temperature Control Range	-50°C~ 99°C
Temperature Measurement Accuracy	±1°C(-40°C~ 50°C), ±2°C(51°C~ 70°C), Others±3°C
Display Resolution	0.1°C(-9.9-9.9), Others °C
Product Size	78.5×34.5×74 (mm)
Mounting Dimension	71×29 (mm)

Model	Control Output	Signal Input	Other
	Refrigeration	Temperature Sensor	Over-temperature Alarm
ECS-02CX	√10A	√	√

### PRODUCT WIRING DIAGRAM



## ECS-06CX



- ECS-06CX is a small, high-precision, easy-to-operate temperature controller, suitable for temperature control of cooling, defrosting, and fan.
- It supports temperature measurement, display and controlling, temperature calibration, sensor failure alarm, Fahrenheit.
- Two way input: room-temperature sensor, defrosting sensor.
- Three way output: cooling, defrosting, and fan.

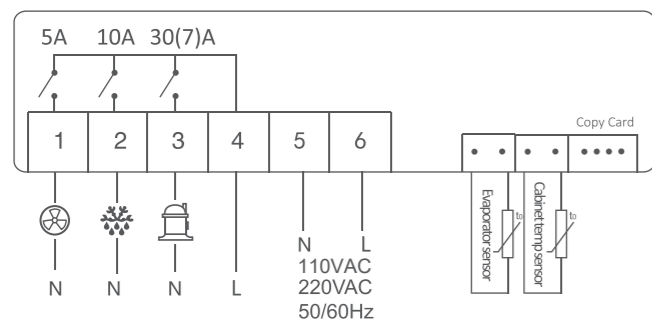


## PRODUCT PARAMETER

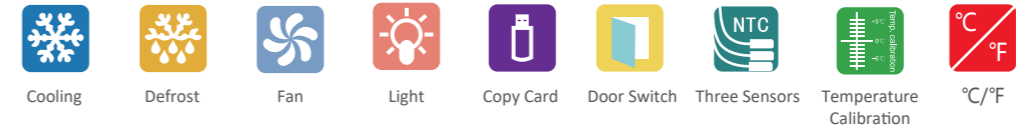
Model	ECS-06CX
Operating Voltage	110VAC/220VAC±10% 50/60Hz
Overall Power Consumption	<3W
Temperature Measurement Range	-50℃ ~ 99℃
Temperature Control Range	-50℃ ~ 99℃
Temperature Measurement Accuracy	±1℃(-40℃ ~ 50℃), ±2℃(51℃ ~ 70℃), Others±3℃
Display Resolution	Temperature Sensor: 0.1℃, Defrost Sensor: 1℃
Product Size	78.5×34.5×82(mm)
Mounting Dimension	71×29(mm)

Model	Control Output		Signal Input		Other
	Refrigeration	Defrosting	Temperature Sensor	Defrost Sensor	Over-temperature Alarm
ECS-06CX	√10A	√10A	√	√	√

## PRODUCT WIRING DIAGRAM



## ECS-180NEO



- ECS-180neo is a small, high-precision, easy-to-operate temperature controller, suitable for temperature control of cooling, defrosting, and fan.
- It supports temperature measurement, display and controlling, temperature calibration, sensor failure alarm, Fahrenheit, copy card.
- Two way input: room-temperature sensor, defrosting sensor.
- Three way output: cooling, defrosting, and fan.

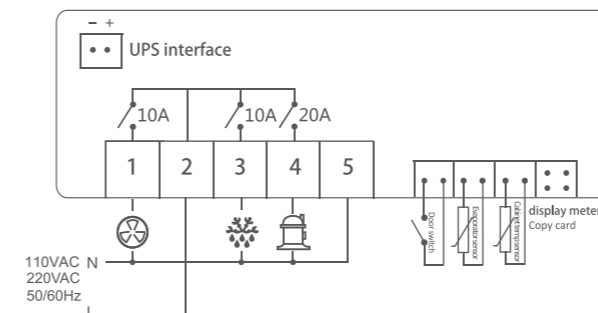


## PRODUCT PARAMETER

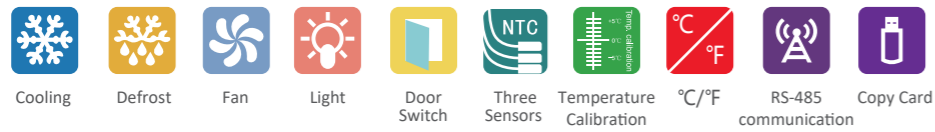
Model	ECS-180neo
Operating Voltage	110VAC/220VAC±10% 50/60Hz
Overall Power Consumption	<3W
Temperature Measurement Range	-50℃ ~ 90℃
Temperature Control Range	-50℃ ~ 85℃
Temperature Measurement Accuracy	±1℃(-40℃ ~ 50℃), ±2℃(51℃ ~ 70℃), Others±3℃
Display Resolution	0.1℃
Product Size	78.5×34.5×82(mm)
Mounting Dimension	71×29(mm)

Model	Control Output			Control Output			Other	
	Refrigeration	Defrosting	Fan	Temperature Sensor	Defrost Sensor	Buzzer	Copy card	Over-temperature Alarm
ECS-180NEO	√20A	√10A	√10A	√	√	√	√	√

## PRODUCT WIRING DIAGRAM



## ECS-2280NEO



- ECS-2280neo is a small, high-precision, easy-to-operate temperature controller, suitable for temperature control of cooling, defrosting, and fan.
- It supports temperature measurement, display and controlling, temperature calibration, sensor failure alarm, Fahrenheit, copy card, and RS-485 communication.
- Two way input: room-temperature sensor, defrosting sensor.
- Three way output: cooling, defrosting, and fan.

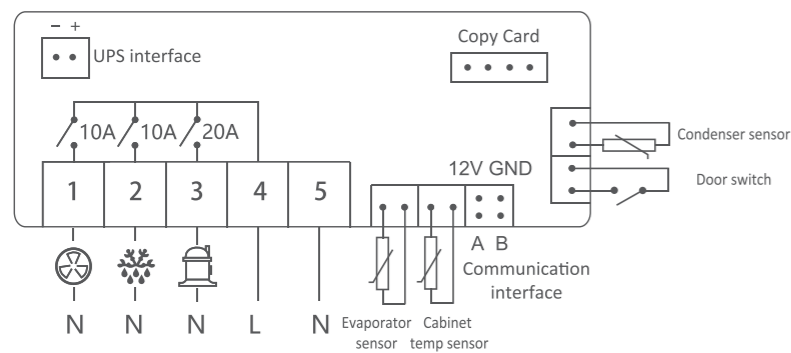


## PRODUCT PARAMETER

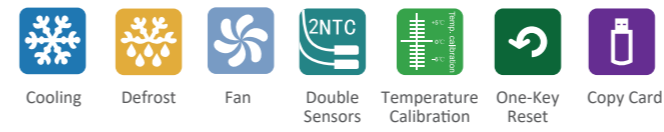
Model	ECS-180neo
Operating Voltage	110VAC/220VAC±10% 50/60Hz
Overall Power Consumption	<3W
Temperature Measurement Range	-50 C ~ 90 C
Temperature Control Range	-50 C ~ 85 C
Temperature Measurement Accuracy	±1 C (-40 C ~ 50 C ), ±2 C (51 C ~ 70 C), Others±3 C
Display Resolution	0.1 C
Product Size	78.5×34.5×82(mm)
Mounting Dimension	71×29 (mm)

Model	Control Output			Signal Input		Other				
	Refrigeration	Defrosting	Fan	Temperature Sensor	Defrost Sensor	Buzzer	Copy card	Over-temperature Alarm	485 Interface	Connect to the iCold
ECS-2280NEO	√20A	√10A	√10A	√	√	√	√	√	√	√

## PRODUCT WIRING DIAGRAM



## ECS-974NEO



- ECS-974neo is a small, high-precision, easy-to-operate temperature controller, suitable for temperature control of of refrigeration, defrosting and fan output.
- With temperature measurement, display and control; temperature correction; sensor failure alarm, temperature overrun alarm and other functions.
- Two-way sensor input: temperature probe sensor for the store, defrost probe sensor.
- Three control outputs: refrigeration equipment output, defrost equipment output, fan equipment output.

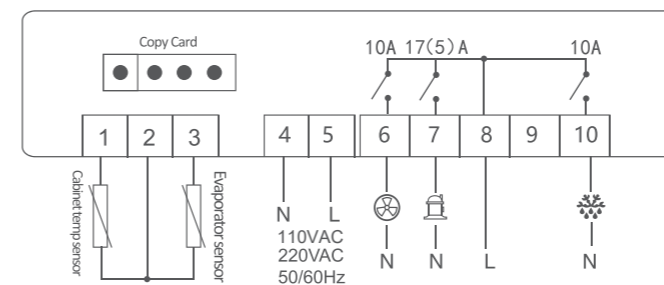


## PRODUCT PARAMETER

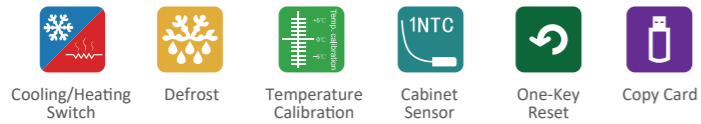
Model	ECS-974neo
Operating Voltage	110VAC/220VAC±10% 50/60Hz
Overall Power Consumption	<3W
Temperature Measurement Range	-50 C ~ 99 C
Temperature Control Range	-50 C ~ 99 C
Temperature Measurement Accuracy	±1 C (-40 C ~ 50 C), Others ±2 C
Display Resolution	0.1 C/1 C
Product Size	78.5×34.5×74 (mm)
Mounting Dimension	71×29 (mm)

Model	Control Output			Control Output		Other	
	Refrigeration	Defrosting	Fan	Temperature Sensor	Defrost Sensor	Copy card	Over-temperature Alarm
ECS-974NEO	√17A	√10A	√10A	√	√	√	√

## PRODUCT WIRING DIAGRAM



## ECS-961NEO



- ECS-961neo is a small, high-precision, easy-to-operate temperature controller, suitable for temperature control with a single refrigeration output.
- With temperature measurement, display and control; temperature correction; sensor failure alarm and other functions; shutdown defrost function.
- One-way sensor input: the library temperature probe sensor.
- One control output: refrigeration equipment output.

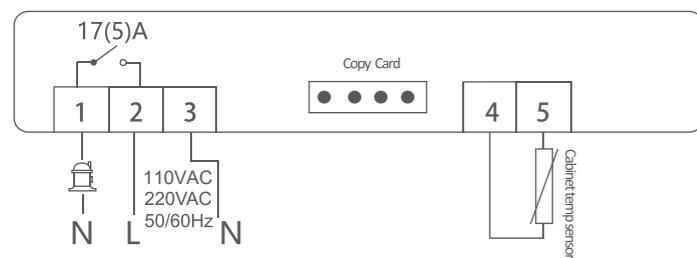


### PRODUCT PARAMETER

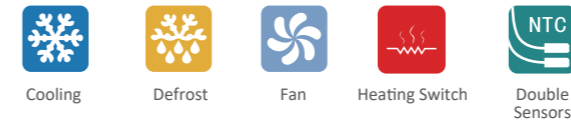
Model	ECS-961neo
Operating Voltage	110VAC/220VAC±10% 50/60Hz
Overall Power Consumption	<3W
Temperature Measurement Range	-50 C ~ 99 C
Temperature Control Range	-50 C ~ 99 C
Temperature Measurement Accuracy	±1 C (-40 C ~ 50 C), ±2 C (51 C ~ 70 C), Others ±3 C
Display Resolution	0.1 C/1 C
Product Size	78.5×34.5×82(mm)
Mounting Dimension	71×29 (mm)

Model	Control Output	Signal Input	Other	
	Cooling/Heating	Temperature Sensor	Copy card	Shutdown defrosting
ECS-961NEO	√17A	√	√	√

### PRODUCT WIRING DIAGRAM



## EK-3010



- EK-3010 is a small temperature controller, suitable for temperature control of refrigeration or heating equipment.
- With temperature measurement, display and control; temperature correction; temperature overrun and sensor fault alarm function; one-touch restore function for factory-set parameters.
- Key lock function, trial time function.
- One-way sensor input: temperature probe sensor.
- One-way control output: refrigeration/heating equipment.

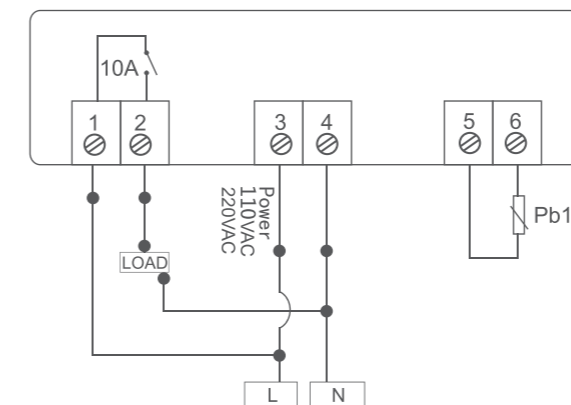


### PRODUCT PARAMETER

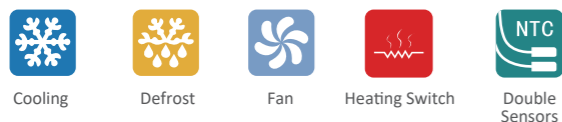
Model	EK-3010
Operating Voltage	110VAC/220VAC±10%; 50/60Hz
Overall Power Consumption	<5W
Temperature Measurement Range	-40 C ~ 85 C
Temperature Control Range	-40 C ~ 99 C
Temperature Measurement Accuracy	±1 C (-30 C ~ 50 C), Others ±2 C;
Display Resolution	1 C/0.1 C
Product Size	85.0×35.0×63.8 (mm)
Mounting Dimension	71×29 (mm)
Rated Current of Output Relay	10A/220VAC

Model	Control Output		Signal Input	Other		
	Refrigeration (10A)	Defrosting (10A)	Temperature Sensor	Buzzer	Over-temperature alarm	Parameter Reduction
EK-3010	√	√	√	√	√	√

### PRODUCT WIRING DIAGRAM



## EK-3020



- EK-3020 is a small, high-precision, easy-to-operate temperature controller, suitable for temperature control of cooling and defrosting outputs.
- With temperature measurement, display and control; temperature correction; forced frosting; temperature overrun and sensor fault alarm function; one-touch restore function for factory-set parameters.
- Key lock function, trial time and other functions.
- One-way sensor input: temperature probe sensor.
- Two-way control outputs: refrigeration and defrosting equipment.

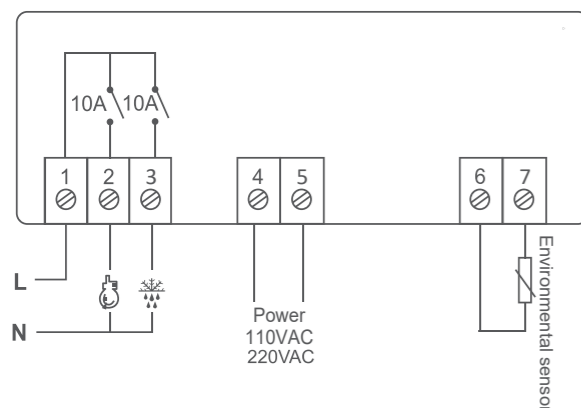


## PRODUCT PARAMETER

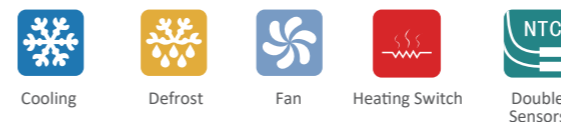
Model	EK-3020
Operating Voltage	110VAC/220VAC±10%; 50/60Hz
Overall Power Consumption	<5W
Temperature Measurement Range	-40 C ~ 85 C
Temperature Control Range	-40 C ~ 99 C
Temperature Measurement Accuracy	±1 C (-30 C ~ 50 C), Others ±2 C;
Display Resolution	1 C/0.1 C
Product Size	85.0×35.0×63.8 (mm)
Mounting Dimension	71×29 (mm)
Rated Current of Output Relay	10A/220VAC

Model	Control Output		Signal Input	Other		
	Refrigeration (10A)	Defrosting (10A)	Temperature Sensor	Buzzer	Over-temperature alarm	Parameter Reduction
EK-3020	√	√	√	√	√	√

## PRODUCT WIRING DIAGRAM



## EK-3021



- EK-3021 is a small, high-precision, easy-to-operate temperature controller, suitable for temperature control of cooling and defrosting outputs.
- With temperature measurement, display and control; temperature correction; forced frosting; temperature overrun and sensor fault alarm function; one-touch restore function for factory-set parameters.
- Key lock function, trial time and other functions.
- Two-way sensor inputs: temperature probe sensor and defrost probe sensor.
- Two-way control outputs: refrigeration and defrosting equipment output.

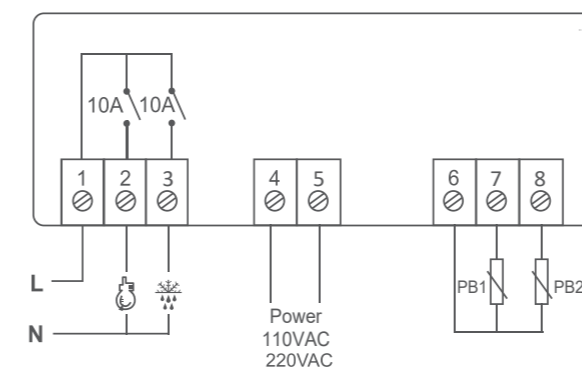


## PRODUCT PARAMETER

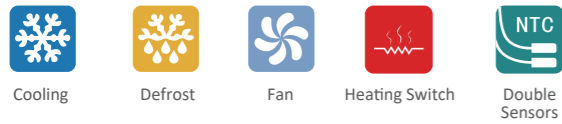
Model	EK-3021
Operating Voltage	110VAC/220VAC±10%; 50/60Hz
Overall Power Consumption	<5W
Temperature Measurement Range	-40 C ~ 85 C
Temperature Control Range	-40 C ~ 99 C
Temperature Measurement Accuracy	±1 C (-30 C ~ 50 C), Others ±2 C;
Display Resolution	1 C/0.1 C
Product Size	85.0×35.0×63.8 (mm)
Mounting Dimension	71×29 (mm)
Rated Current of Output Relay	10A/220VAC

Model	Control Output		Signal Input	Other		
	Refrigeration (10A)	Defrosting (10A)	Temperature Sensor	Buzzer	Over-temperature alarm	Parameter Reduction
EK-3021	√	√	√	√	√	√

## PRODUCT WIRING DIAGRAM



# EK-3030



- Elitech EK-3030 is a small, high-precision, easy-to-operate temperature controller, suitable for temperature control of cooling, defrosting, and fan.
- It supports temperature measurement, display, and controlling, temperature calibration, forced frosting, over-temperature alarm and sensor failure alarm function, one-button restore function for factory-set parameters, key lock function, trial time.
- Two way input: room-temperature sensor, defrosting sensor.
- Three way output: cooling, defrosting, and fan.

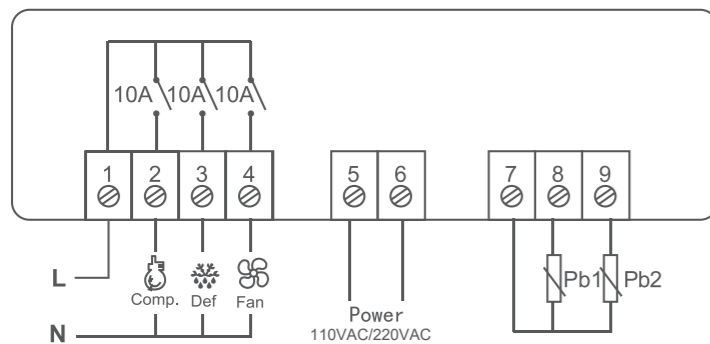


## PRODUCT PARAMETER

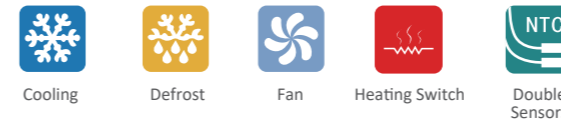
Model	EK-3030
Operating Voltage	110VAC/220VAC±10%; 50/60Hz
Overall Power Consumption	<5W
Temperature Measurement Range	-40℃ ~ 85℃
Temperature Control Range	-40℃ ~ 99℃
Temperature Measurement Accuracy	±1℃ (-30℃ ~ 50℃), Others ±2℃;
Display Resolution	1℃/0.1℃
Product Size	85.0×35.0×63.8 (mm)
Mounting Dimension	71×29 (mm)
Rated Current of Output Relay	10A/220VAC

Model	Control Output			Signal Input		Other		
	Refrigeration (10A)	Defrosting (10A)	Fan (10A)	Temperature Sensor	Defrost Sensor	Buzzer	Over-temperature alarm	Parameter Reduction
EK-3030	√	√	√	√	√	√	√	√

## PRODUCT WIRING DIAGRAM



# EK-3030E



- Elitech EK-3030 is a small, high-precision, easy-to-operate temperature controller, suitable for temperature control of cooling, defrosting, and fan.
- It supports temperature measurement, display, and controlling, temperature calibration, forced frosting, over-temperature alarm and sensor failure alarm function, one-button restore function for factory-set parameters, key lock function, trial time, and RS-485 communication function.
- Two way input: room-temperature sensor, defrosting sensor.
- Three way output: cooling, defrosting, and fan.

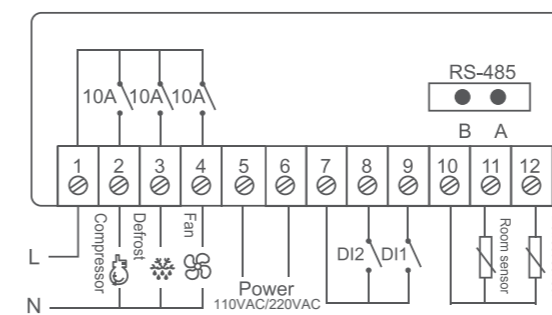


## PRODUCT PARAMETER

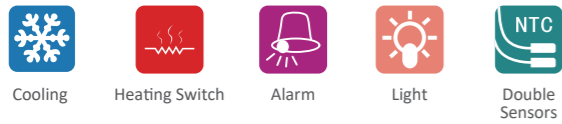
Model	EK-3030E
Operating Voltage	110VAC/220VAC±10%; 50/60Hz
Overall Power Consumption	<5W
Temperature Measurement Range	-40℃ ~ 85℃
Temperature Control Range	-40℃ ~ 99℃
Temperature Measurement Accuracy	±1℃ (-30℃ ~ 50℃), Others ±2℃;
Display Resolution	1℃/0.1℃
Product Size	85.0×35.0×63.8 (mm)
Mounting Dimension	71×29 (mm)
Rated Current of Output Relay	10A/220VAC

Model	Control Output			Signal Input		Other			
	Refrigeration (10A)	Defrosting (10A)	Fan (10A)	Temperature Sensor	Defrost Sensor	Buzzer	Over-temperature alarm	485 Interface	Parameter Reduction
EK-3030E	√	√	√	√	√	√	√	√	√

## PRODUCT WIRING DIAGRAM



## STC-200+



- STC-200 temperature controller is a small, high-precision, easy-to-operate temperature controller, suitable for temperature control of cooling/ heating/ alarm output.
- With temperature measurement, temperature display, temperature control, temperature correction, sensor fault alarm functions.
- One-way sensor input: temperature probe sensor.
- One-way control output: cooling/ heating/ alarm equipment.

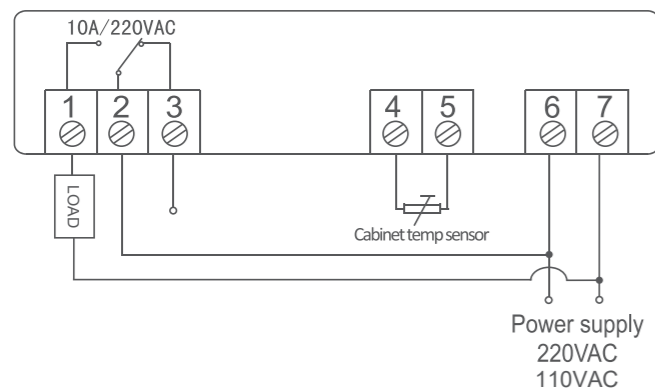


### PRODUCT PARAMETER

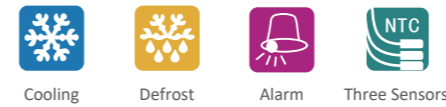
Model	STC-200+
Operating Voltage	110VAC/220VAC±10%; 50/60Hz
Overall Power Consumption	<3W
Temperature Measurement Range	-40 C ~ 99 C
Temperature Control Range	-40 C ~ 70 C
Temperature Measurement Accuracy	±1 C
Display Resolution	1 C
Product Size	77×34.5×65.5(mm)
Mounting Dimension	71×29 (mm)
Rated Current of Output Relay	10A/220VAC

Model	Control Output			Signal Input	Other
	Refrigeration	Heating	Alarm	Temperature Sensor	Buzzer
STC-200+	Refrigeration/ Heating / Alarm (10A)			√	√

### PRODUCT WIRING DIAGRAM



## STC-8000H



- STC-8000H temperature controller is a small, high-precision, easy-to-operate temperature controller, suitable for temperature control with a single refrigeration output.
- With temperature measurement, temperature display, temperature control, temperature correction, sensor fault alarm functions.
- One-way sensor input: temperature probe sensor.
- One-way control output: refrigeration equipment equipments.

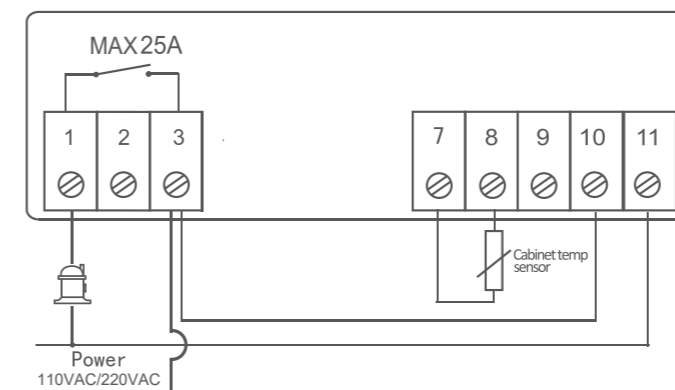


### PRODUCT PARAMETER

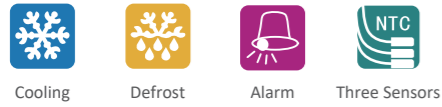
Model	STC-8000H
Operating Voltage	110VAC/220VAC±10%; 50/60Hz
Overall Power Consumption	<3W
Temperature Measurement Range	-50 C ~ 99 C
Temperature Control Range	-40 C ~ 50 C
Temperature Measurement Accuracy	±1 C (-40 C ~ 50 C), Others ±2 C
Display Resolution	1 C
Product Size	75×34.5×85 (mm)
Mounting Dimension	1×29 (mm)
Rated Current of Output Relay	10A/220VAC

Model	Control Output	Signal Input	Other	
	Refrigeration (10A)	Temperature Sensor	Buzzer	Over-temperature Alarm
STC-8000H	√	√	√	√

### PRODUCT WIRING DIAGRAM



## STC-8080A+



- STC-8080A+ temperature controller is a small, high-precision, easy-to-operate temperature controller, suitable for temperature control with refrigeration and defrosting output.
- With temperature measurement, temperature display, temperature control, temperature correction, sensor fault alarm functions.
- One-way sensor input: temperature probe sensor.
- Two-way control outputs: refrigeration and defrosting equipments.

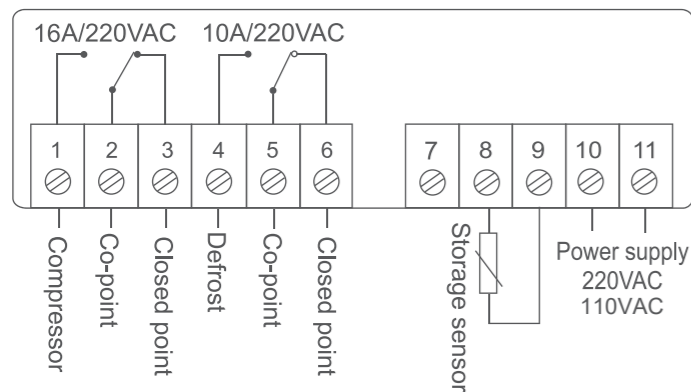


### PRODUCT PARAMETER

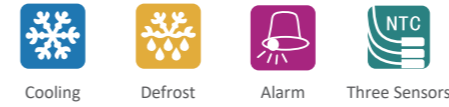
Model	STC-8080A+
Operating Voltage	110VAC/220VAC±10%; 50/60Hz
Overall Power Consumption	<3W
Temperature Measurement Range	-50 C ~ 99 C
Temperature Control Range	-40 C ~ 50 C
Temperature Measurement Accuracy	±1 C (-40 C ~ 50 C), Others ±2 C
Display Resolution	1 C
Product Size	75×34.5×85 (mm)
Mounting Dimension	71×29 (mm)
Rated Current of Output Relay	10A/220VAC

Model	Control Output		Signal Input	Other	
	Refrigeration (10A)	Defrosting (10A)	Temperature Sensor	Buzzer	Over-temperature Alarm
STC-8080A+	√	√	√	√	√

### PRODUCT WIRING DIAGRAM



## STC-8080H



- STC-8080H temperature controller is a small, high-precision, easy-to-operate temperature controller, suitable for temperature control with refrigeration and defrosting output.
- With temperature measurement, temperature display, temperature control, temperature correction, sensor fault alarm functions.
- One-way sensor input: temperature probe sensor.
- Two-way control outputs: refrigeration and defrosting equipments.

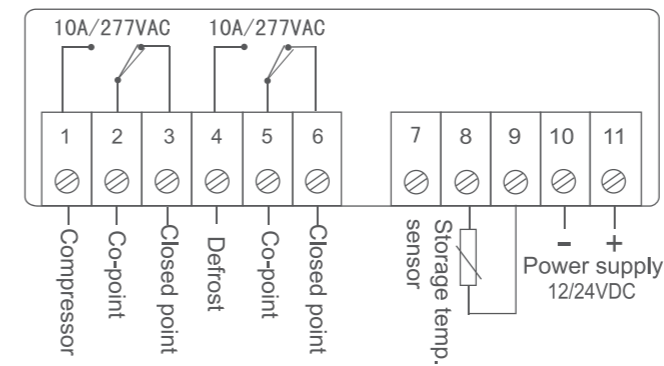


### PRODUCT PARAMETER

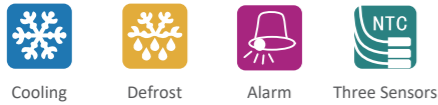
Model	STC-8080H
Operating Voltage	110VAC/220VAC±10%; 50/60Hz
Overall Power Consumption	<3W
Temperature Measurement Range	-50 C ~ 99 C
Temperature Control Range	-40 C ~ 50 C
Temperature Measurement Accuracy	±1 C (-40 C ~ 50 C), Others ±2 C
Display Resolution	1 C
Product Size	75×34.5×85 (mm)
Mounting Dimension	71×29 (mm)
Rated Current of Output Relay	10A/220VAC

Model	Control Output		Signal Input	Other	
	Refrigeration (10A)	Defrosting (10A)	Temperature Sensor	Buzzer	Over-temperature Alarm
STC-8080H	√	√	√	√	√

### PRODUCT WIRING DIAGRAM



## STC-8000HX



- STC-8080A+ temperature controller is a small, high-precision, easy-to-operate temperature controller, suitable for temperature control with a single refrigeration output.
- With temperature measurement, temperature display, temperature control, temperature correction, sensor fault alarm functions.
- One-way sensor input: temperature probe sensor.
- One-way control output: refrigeration equipment.

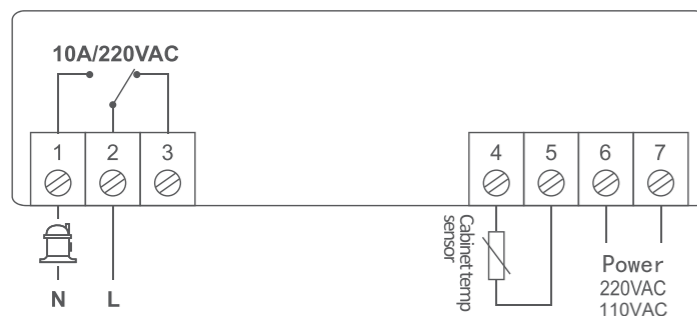


### PRODUCT PARAMETER

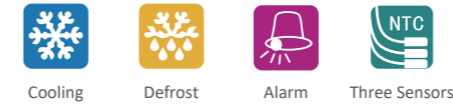
Model	STC-8000HX
Operating Voltage	110VAC/220VAC±10%; 50/60Hz
Overall Power Consumption	<3W
Temperature Measurement Range	-50 C ~ 99 C
Temperature Control Range	-40 C ~ 50 C
Temperature Measurement Accuracy	±1 C (-40 C ~ 70 C), Others ±2 C
Display Resolution	1 C
Product Size	80.5×34.9×65.8 (mm)
Mounting Dimension	71×29 (mm)
Rated Current of Output Relay	10A/220VAC

Model	Control Output	Signal Input	Other	
	Refrigeration (10A)	Temperature Sensor	Buzzer	Over-temperature Alarm
STC-8080A+	√	√	√	√

### PRODUCT WIRING DIAGRAM



## STC-8080AX



- STC-8080A+ temperature controller is a small, high-precision, easy-to-operate temperature controller, suitable for temperature control with cooling, defrosting output.
- With temperature measurement, temperature display, temperature control, temperature correction, sensor fault alarm functions.
- One-way sensor input: temperature probe sensor.
- Two-way control outputs: refrigeration and defrosting equipments.

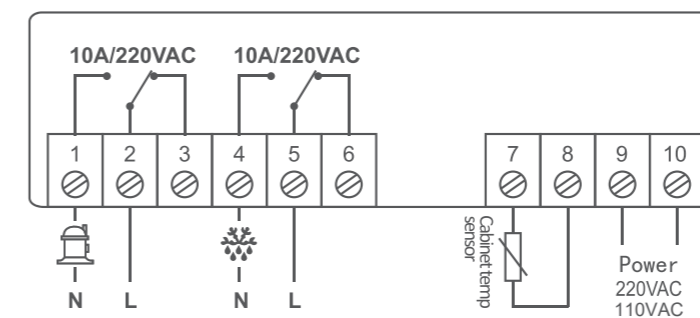


### PRODUCT PARAMETER

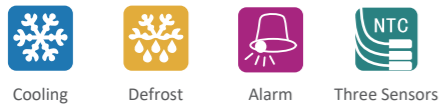
Model	STC-8080AX
Operating Voltage	110VAC/220VAC±10%; 50/60Hz
Overall Power Consumption	<3W
Temperature Measurement Range	-50 C ~ 99 C
Temperature Control Range	-40 C ~ 50 C
Temperature Measurement Accuracy	±1 C (-40 C ~ 70 C); Others ±2 C
Display Resolution	1 C
Product Size	80.5×34.9×65.8 (mm)
Mounting Dimension	71×29 (mm)
Rated Current of Output Relay	10A/220VAC

Model	Control Output		Signal Input	Other	
	Refrigeration (10A)	Defrosting (10A)	Temperature Sensor	Buzzer	Over-temperature alarm
STC-8080A+	√	√	√	√	√

### PRODUCT WIRING DIAGRAM



## STC-8080HX



- STC-8080HX temperature controller is a small, high-precision, easy-to-operate temperature controller, suitable for temperature control with cooling, defrosting output.
- With temperature measurement, temperature display, temperature control, temperature correction, sensor fault alarm functions.
- One-way sensor input: temperature probe sensor.
- Two-way control outputs: refrigeration and defrosting equipments.

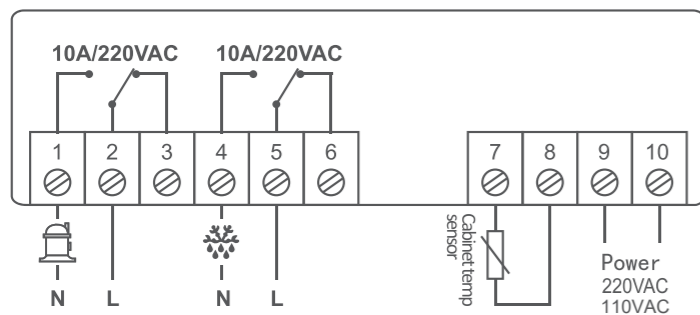


### PRODUCT PARAMETER

Model	STC-8080HX
Operating Voltage	110VAC/220VAC±10%; 50/60Hz
Overall Power Consumption	<3W
Temperature Measurement Range	-50 C ~ 99 C
Temperature Control Range	-40 C ~ 50 C
Temperature Measurement Accuracy	±1 C (-40 C ~ 70 C); Others ±2 C
Display Resolution	1 C
Product Size	80.5×34.9×65.8(mm)
Mounting Dimension	71×29 (mm)
Rated Current of Output Relay	10A/220VAC

Model	Control Output		Signal Input	Other	
	Refrigeration (10A)	Defrosting (10A)	Temperature Sensor	Buzzer	Over-temperature alarm
STC-8080HX	√	√	√	√	√

### PRODUCT WIRING DIAGRAM



## STC-1000



- STC-1000 temperature controller is a small, high-precision, easy-to-operate temperature controller, suitable for temperature control with cooling and heating.
- It supports temperature measurement, display, and controlling, temperature calibration, sensor failure alarm.
- One-way input: one temperature sensor.
- Two-way output: cooling and heating.

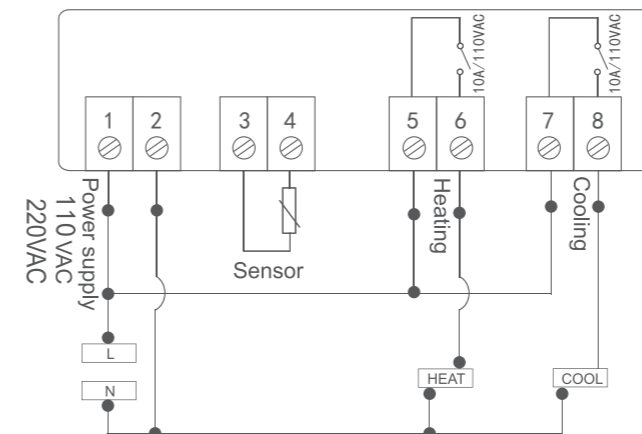


### PRODUCT PARAMETER

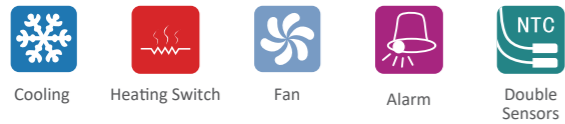
Model	STC-1000
Operating Voltage	110VAC/220VAC±10%; 50/60Hz
Overall Power Consumption	<3W
Temperature Measurement Range	-50 C ~ 99 C
Temperature Control Range	-50 C ~ 90 C
Temperature Measurement Accuracy	±1 C
Display Resolution	0.1 C
Product Size	75×4.5×85(mm)
Mounting Dimension	71×29 (mm)
Rated Current of Output Relay	10A/220VAC

Model	Control Output		Signal Input	Other
	Refrigeration (10A)	Heating (10A)	Temperature Sensor	Buzzer
STC-1000	√	√	√	√

### PRODUCT WIRING DIAGRAM



## STC-1000X



- STC-1000X temperature controller is a small, high-precision, easy-to-operate temperature controller, suitable for temperature control with cooling, automatic heating changeover output; aesthetically pleasing with new design.
- With temperature measurement, temperature display, temperature control, temperature correction, sensor fault alarm functions; Celsius, Fahrenheit conversion function
- One-way sensor input: temperature probe sensor;
- Two-way control outputs: refrigeration and heating equipments.

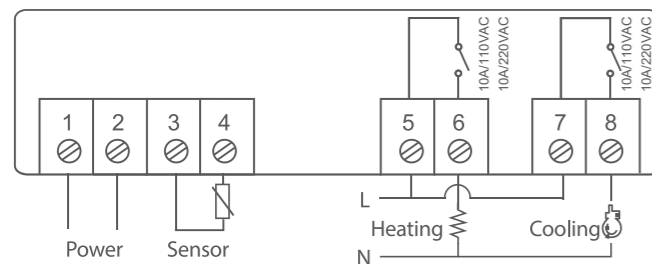


### PRODUCT PARAMETER

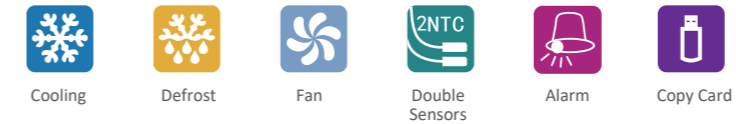
Model	STC-1000X
Operating Voltage	110VAC/220VAC±10%; 50/60Hz
Overall Power Consumption	<3W
Temperature Measurement Range	-50 C ~ 120 C
Temperature Control Range	-49 C ~ 109 C
Temperature Measurement Accuracy	±1 C (-20 C ~ 50 C), Others ±1.5 C
Display Resolution	0.1 C
Product Size	80×35×66 (mm)
Mounting Dimension	71×29 (mm)
Rated Current of Output Relay	10A/220VAC

Model	Control Output		Signal Input	Other		
	Refrigeration (10A)	Defrosting (10A)	Temperature Sensor	Buzzer	°C/°F	
STC-1000X	√	√	√	√	√	

### PRODUCT WIRING DIAGRAM



## STC-9100



- STC-9100 is a small temperature controller, suitable for temperature control of refrigeration, defrosting and alarm output;
- With temperature measurement, display and control; temperature correction; sensor failure alarm; over-temperature alarm.
- Two-way sensor input: library temperature probe sensor, defrost probe sensor;
- Three-way control output: refrigeration, defrosting, alarm equipments.

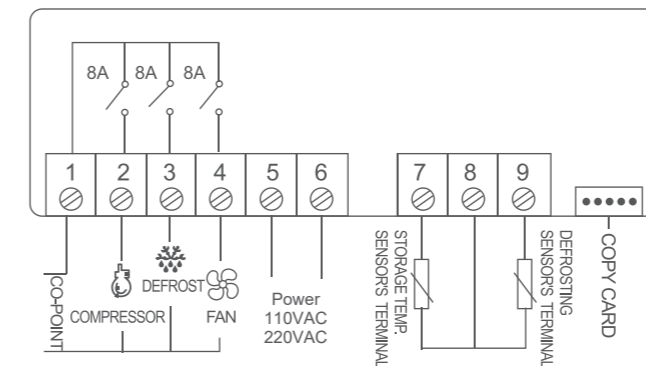


### PRODUCT PARAMETER

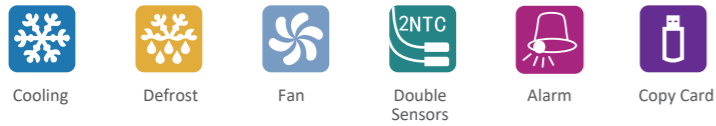
Model	STC-9100
Operating Voltage	110VAC/220VAC±10%; 50/60Hz
Overall Power Consumption	<5W
Temperature Measurement Range	-50 C ~ 50 C
Temperature Control Range	-50 C ~ 50 C
Temperature Measurement Accuracy	±1 C (-40 C ~ 50 C); Others ±2 C
Display Resolution	1 C
Product Size	75×34.5×85 (mm)
Mounting Dimension	71×29 (mm)
Rated Current of Output Relay	8A/220VAC

Model	Control Output			Signal Input		Other		
	Refrigeration (8A)	Defrosting (8A)	Alarm (8A)	Temperature Sensor	Defrost Sensor	Copy card	Over-temperature alarm	Buzzer
STC-9100	√	√	√	√	√	√	√	√

### PRODUCT WIRING DIAGRAM



## STC-9200



- STC-9200 is a small temperature controller, suitable for temperature control of refrigeration, defrosting and fan output;
- With temperature measurement, display and control; temperature correction; sensor failure alarm; over-temperature alarm.
- Two-way sensor input: temperature probe sensor, frost probe sensor;
- Three-way control output: refrigeration, defrosting, fan equipments.

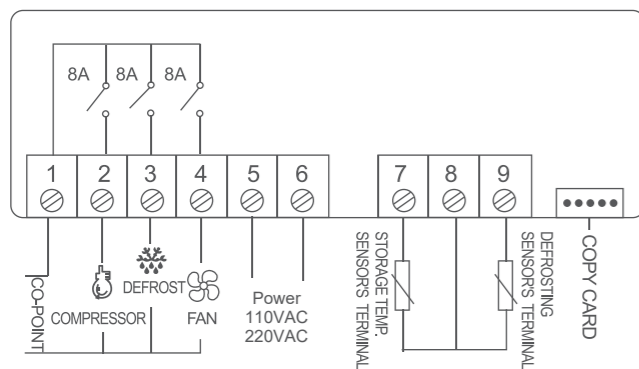


### PRODUCT PARAMETER

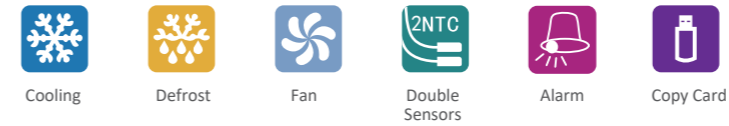
Model	STC-9200
Operating Voltage	110VAC/220VAC±10%; 50/60Hz
Overall Power Consumption	<5W
Temperature Measurement Range	-50 C ~ 50 C
Temperature Control Range	-50 C ~ 50 C
Temperature Measurement Accuracy	±1 C (-40 C ~ 50 C); Others ±2 C
Display Resolution	1 C
Product Size	75×34.5×85 (mm)
Mounting Dimension	71×29 (mm)
Rated Current of Output Relay	8A/220VAC

Model	Control Output			Signal Input			Other	
	Refrigeration (8A)	Defrosting (8A)	Fan (8A)	Temperature Sensor	Defrost Sensor	Copy card	Over-temperature alarm	Buzzer
STC-9200	√	√	√	√	√	√	√	√

### PRODUCT WIRING DIAGRAM



## STC-9200A



- STC-9200A is a small temperature controller, suitable for temperature control of cooling, defrosting, and fan.
- It supports temperature measurement, display, and controlling, temperature calibration; sensor failure alarm; over-temperature alarm.
- Two way input: room-temperature sensor, defrosting sensor.
- Three way output: cooling, defrosting, and fan.

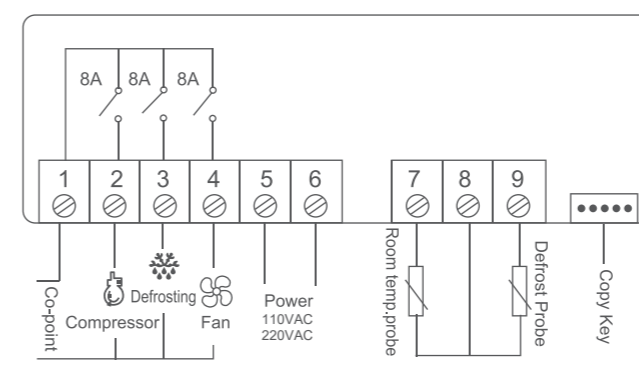


### PRODUCT PARAMETER

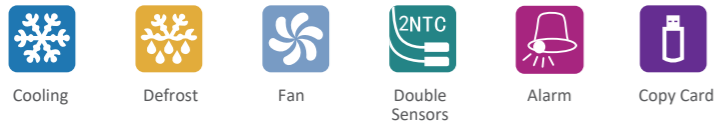
Model	STC-9200A
Operating Voltage	110VAC/220VAC±10%; 50/60Hz
Overall Power Consumption	<3W
Temperature Measurement Range	-50 C ~ 99 C
Temperature Control Range	-50 C ~ 99 C
Temperature Measurement Accuracy	+1°C (-40~50°C); +2°C( 50 ~70°C); +3°C (others); or +2°F (-40 ~99°F ); 6°F (others)
Display Resolution	0.1°C/ °FF (cabinet sensor), 1°C /°F (evaporator sensor)
Product Size	78.5×34.5×82 (mm)
Mounting Dimension	71×29 (mm)
Rated Current of Output Relay	8A/220VAC

Model	Control Output			Signal Input		Other		
	Refrigeration (8A)	Defrosting (8A)	Fan (8A)	Temperature Sensor	Defrost Sensor	Copy card	Over-temperature alarm	Buzzer
STC-9200A	√	√	√	√	√	√	√	√

### PRODUCT WIRING DIAGRAM



# ETC-3000A



- Elitech ETC-3000A controller is universal for temperature control of cooling, defrosting, and fan.
- It supports temperature measurement, display, and controlling, temperature calibration, sensor failure alarm, over-temperature alarm.
- Two way input: room-temperature sensor, defrosting sensor.
- Three way output: cooling, defrosting, and fan.



## PRODUCT PARAMETER

Model	ETC-3000A
Operating Voltage	110VAC/220VAC±10%; 50/60Hz
Overall Power Consumption	<5W
Temperature Measurement Range	-50 C/°F ~ 99 C/°F
Temperature Control Range	-50 C/°F ~ 99 C/°F
Temperature Measurement Accuracy	±1 C (-40 C ~ 50 C), (50 C ~ 70 C)±2 C
Display Resolution	1 C
Product Size	75×34.5×85 (mm)
Mounting Dimension	71×29 (mm)
Rated Current of Output Relay	8A/220VAC

Model	Control Output			Signal Input		Other	
	Refrigeration (8A)	Defrosting (8A)	Fan (8A)	Temperature Sensor	Defrost Sensor	Copy card	Over-temperature alarm
ETC-3000A	√	√	√	√	√	√	√

## PRODUCT WIRING DIAGRAM

