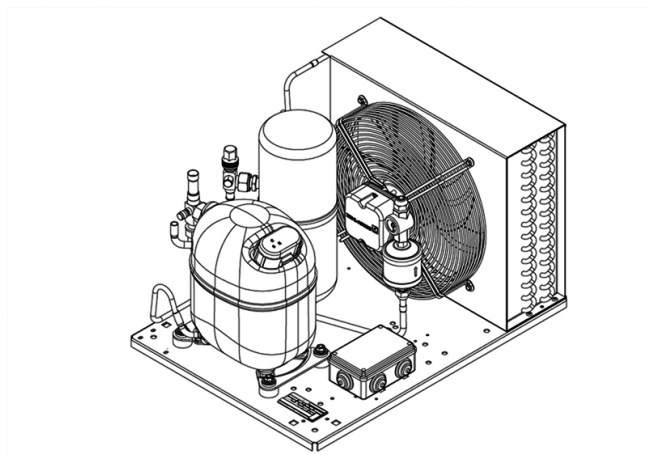


UNJ9232GS



ENGINEERING CODE
647NM5603AA



POWER SUPPLY
380-420 V 50 Hz



MOTOR TYPE
3PH



REFRIGERANT
R-452A



APPLICATION
HBP



STANDARD
EN13215_RG20

CE

ECODESIGN COMPLIANT



COOLING CAPACITY
2097 W



EFFICIENCY
1.79 W/W

DATA

GENERAL DATA

Model UNJ9232GS

ACCESSORIES

Discharge valve	SOLDER 1/2"	2110050
Suction valve	SOLDER 5/8"	2110054

CONDENSING COMPONENTS

Compressor	NJ9232GS	M/HBP
Condenser	3R14T	2451198
Refrigerant	R-404A	
Expansion Device	C-V	
Fankit	S4E300-XX	1996590

MECHANICAL DATA

Air Flow	1450 m ³ /h
Height	372 mm
Shaft Power	60
Weight	43 Kg
Width	440 mm
Length	600 mm

PERFORMANCE

TESTED CONDITIONS

Tested Refrigerant	R-452A
Tested Application	HBP
Tested Standard	EN13215_RG20

RATED POINTS

Ambient Temperature °C	Evaporating Temperature °C	Cooling Capacity W	Efficiency W/W	Consumo de Potencia W
32	-10	2097	1.79	1173

Test Condition: Subcooling 3 K, Return Gas 20 °C.

PERFORMANCE CURVE

Ambient Temperature 25°C

Evaporating Temperature °C	Cooling Capacity W	Efficiency W/W	Consumo de Potencia W
-20	1538	1.71	901
-15	1989	1.96	1013
-5	2847	2.24	1273
0	3324	2.33	1426
5	3880	2.43	1598
10	4551	2.54	1793

Test Condition: Subcooling 3 K, Return Gas 20 °C.

PERFORMANCE CURVE

Ambient Temperature 32°C

Evaporating Temperature °C	Cooling Capacity W	Efficiency W/W	Consumo de Potencia W
-20	1304	1.40	931
-15	1710	1.63	1047
-5	2500	1.90	1314
0	2955	2.01	1472
5	3496	2.12	1650
10	4158	2.25	1851

Test Condition: Subcooling 3 K, Return Gas 20 °C.

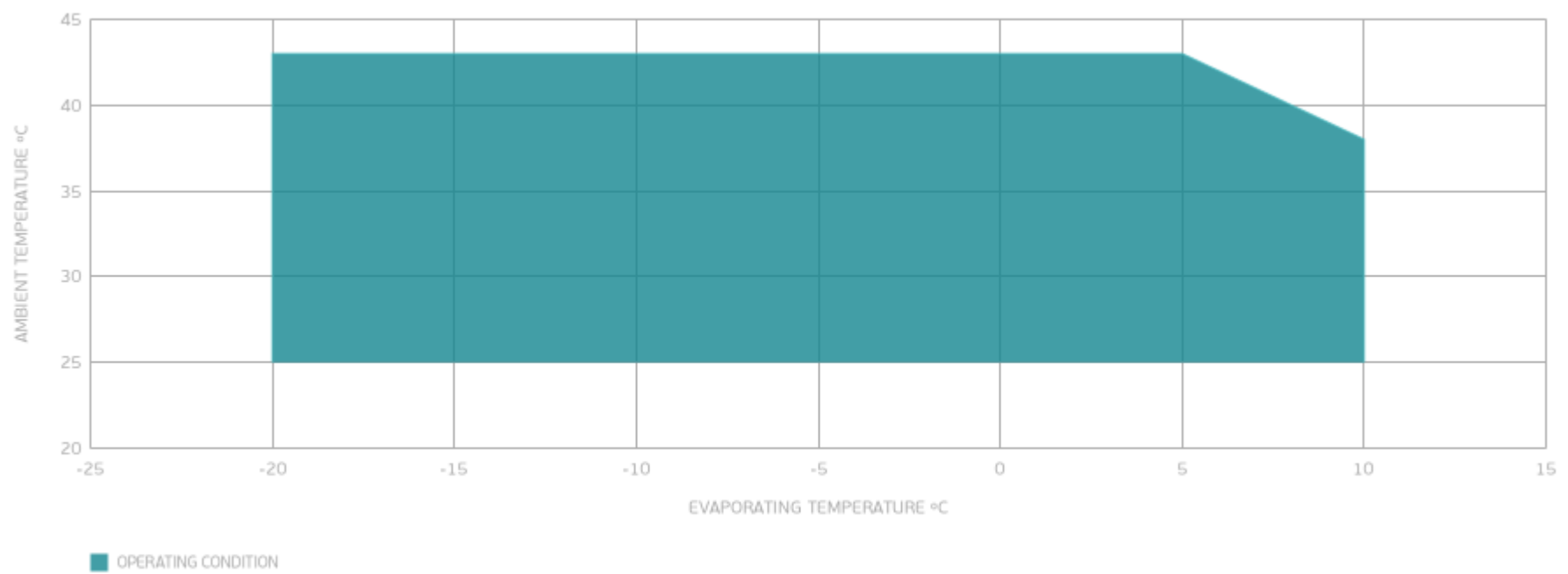
PERFORMANCE CURVE

Ambient Temperature 43°C

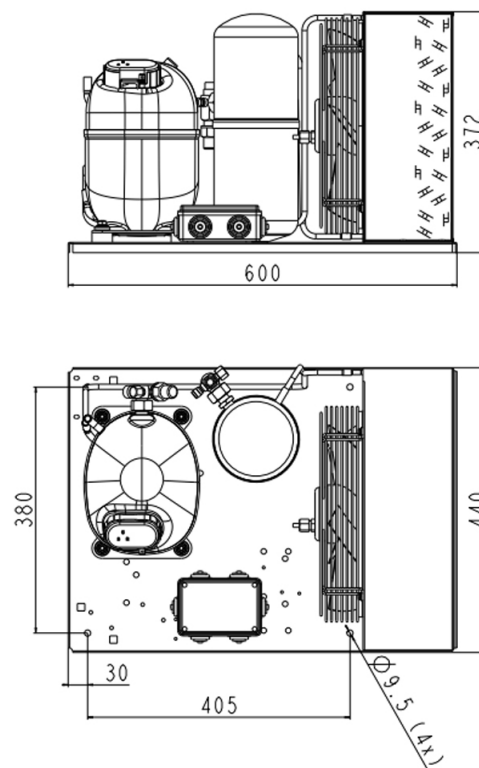
Evaporating Temperature °C	Cooling Capacity W	Efficiency W/W	Consumo de Potencia W
-20	1113	1.15	972
-15	1447	1.32	1095
-5	2129	1.54	1379
0	2546	1.65	1547
5	3061	1.76	1737

Test Condition: Subcooling 3 K, Return Gas 20 °C.

ENVELOPE



EXTERNAL DIMENSIONS



WIRING DIAGRAM

